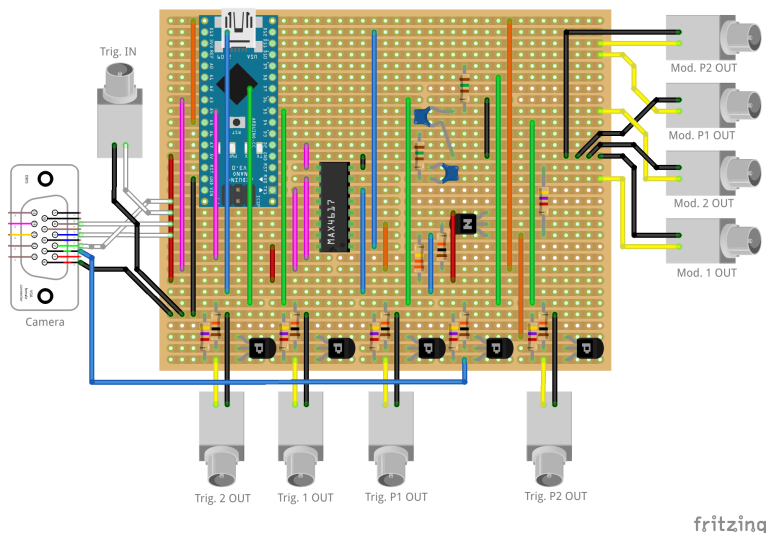


The device uses low-cost components and can be easily adapted to different connections.



A protective case can be 3D printed.



The user-friendly GUI allows for easy control through Micro-Manager.

OpenLightControl GUI

Master controls

ArduControl-Hub

Enable

Trigger: CamFireAll

Exposure (ms): 10

Long exposure

# Frames: 3

# Steps: 64

Modulation Control

Digital Modulation

Analog Modulation

Periodic Frame Loop

Loop period (ms): 10.0000

Reset modulations: X

Manual Acquisition

Snap Image

Continuous: Start

Output P1 (PWM)

Enable

Amplitude: 182

Set Modulation

Output P2 (PWM)

Enable

Amplitude: 73

Set Modulation

Output 1

Enable

Amplitude: 214

Set Modulation

Output 2

Enable

Amplitude: 86

Set Modulation

Digital Modulation

Analog Modulation